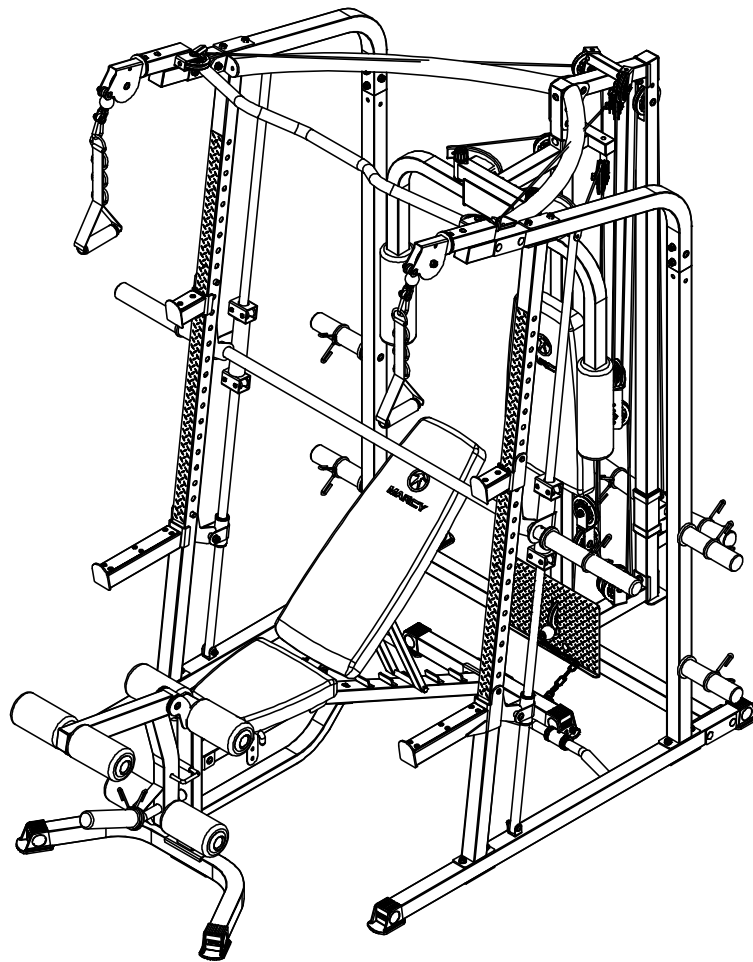


MARCY[®]

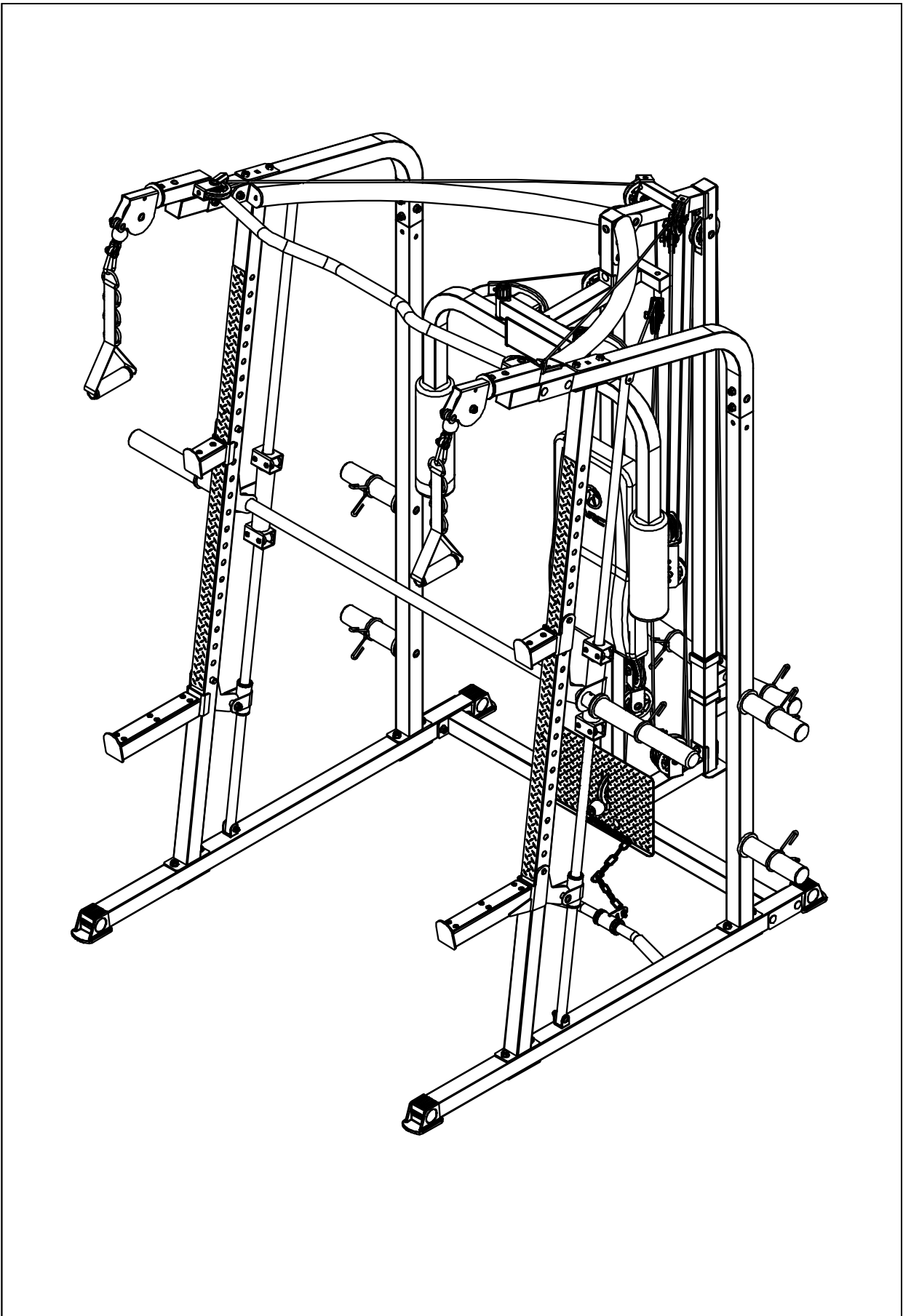
DELUXE SMITH MACHINE MD-5191

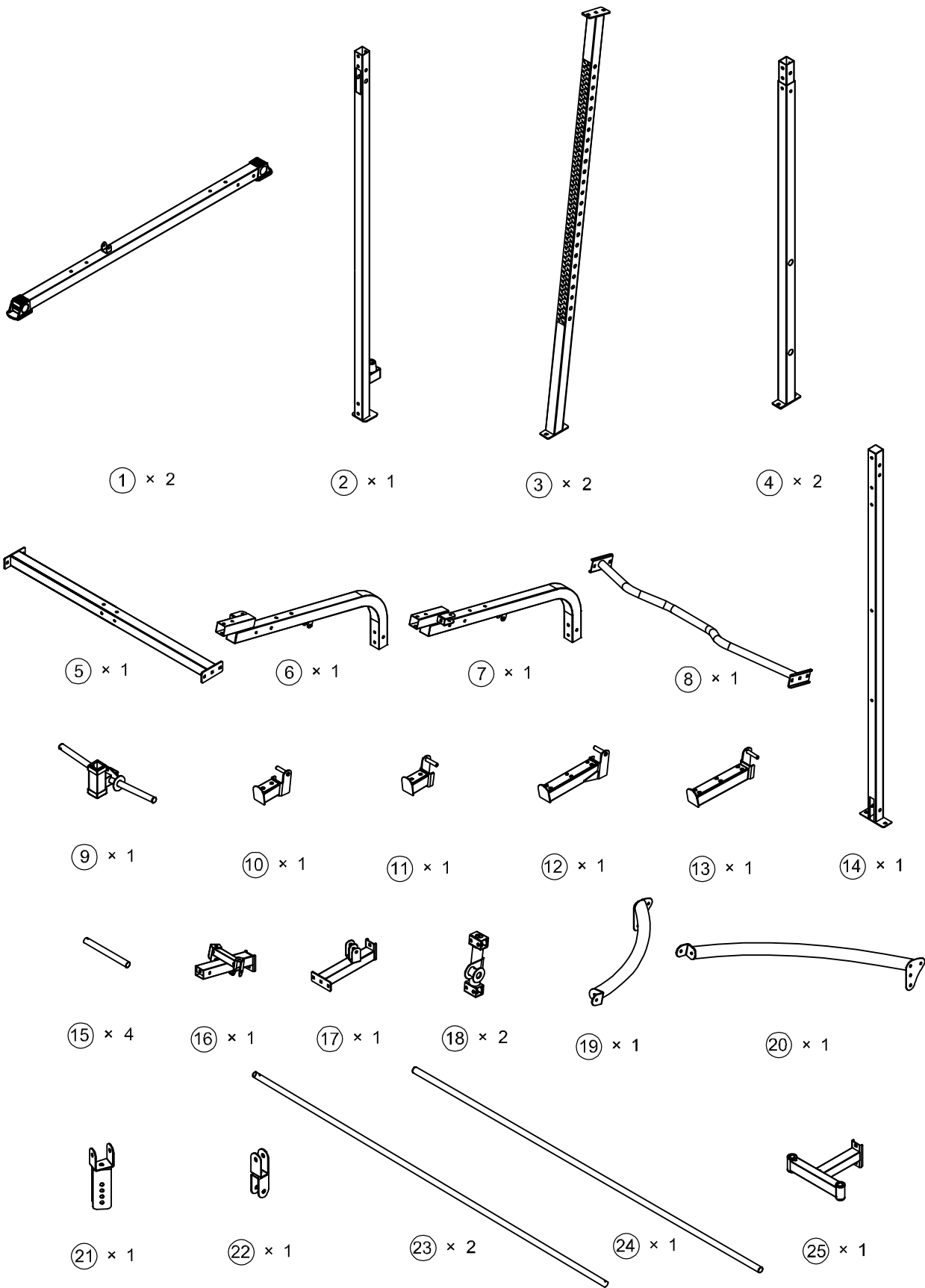


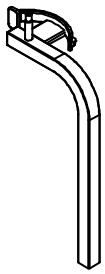
IMPORTANT: Please read the Important Safety Notice and Assembly Information in the Owner's manual before assembling this product.

Assembly Manual

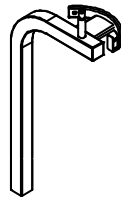
180418







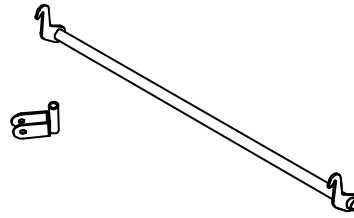
26 x 1



27 x 1



28 x 1

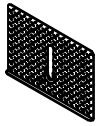


29 x 2

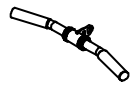
30 x 1



31 x 2



32 x 1



33 34 x 1



35 x 2



36 x 1



37 x 1



38 x 10



39 x 2



40 x 2



43 x 1



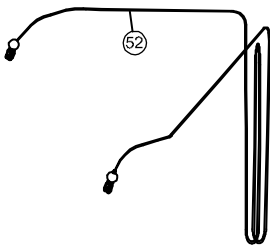
47 x 2



50 x 3



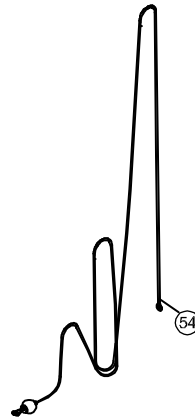
51 x 15



52 x 1



53 x 1



54 x 1



55 x 2



56 x 1



57 x 2



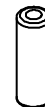
58 x 2



62 x 6



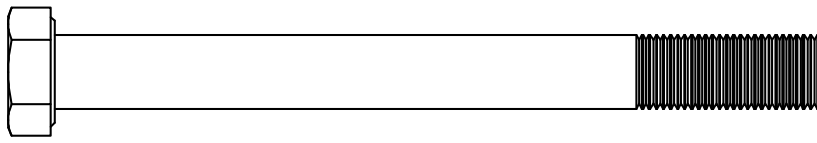
63 x 2



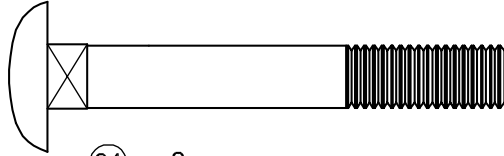
67 x 2



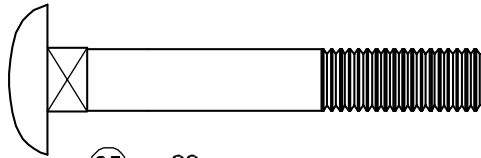
78 x 8



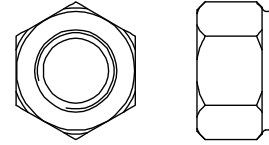
87 × 2



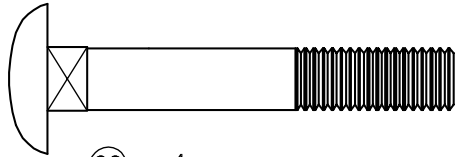
84 × 2



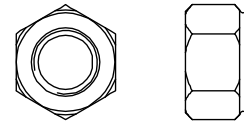
85 × 22



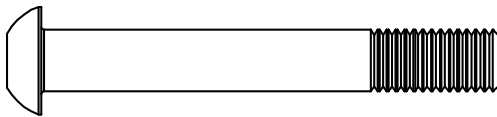
100 × 2



86 × 4



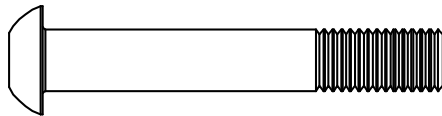
101 × 59



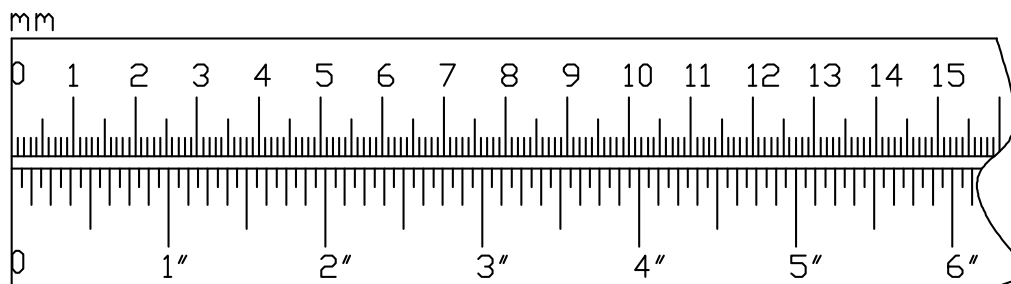
88 × 2

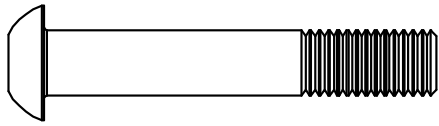


102 × 6

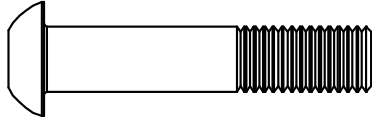


89 × 14

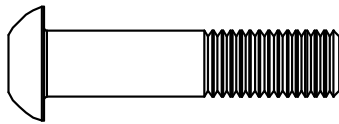




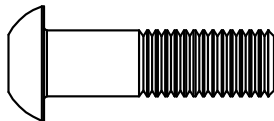
90 × 2



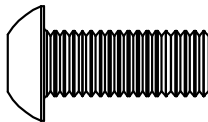
91 × 2



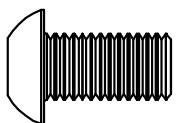
92 × 10



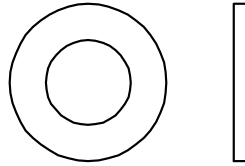
93 × 3



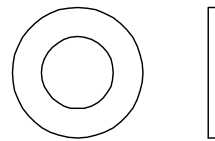
94 × 1



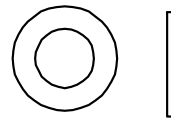
95 × 6



103 × 4

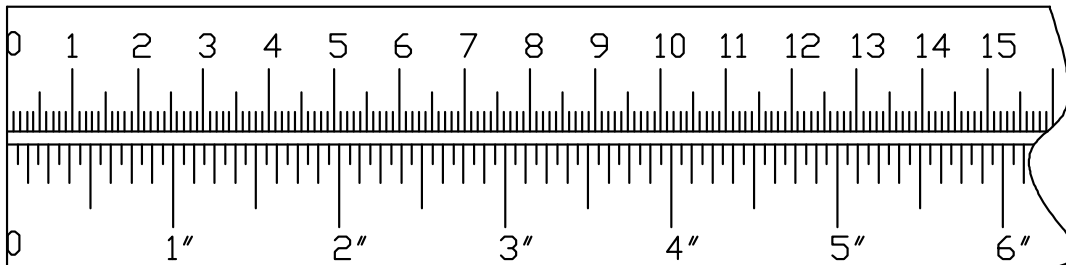


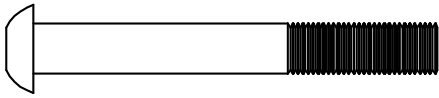
104 × 99



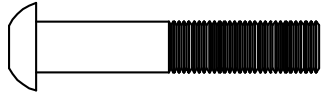
105 × 22

mm

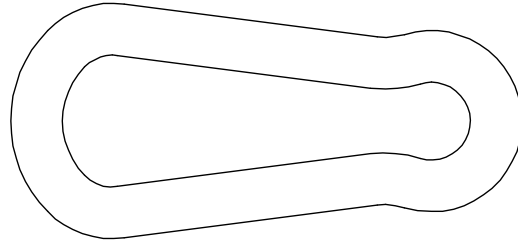




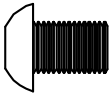
96 × 2



98 × 6



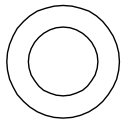
77 × 4



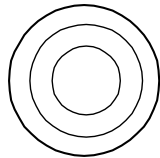
99 × 8



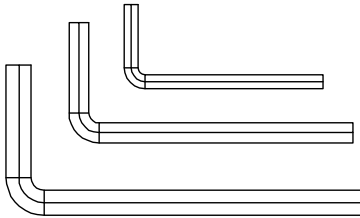
81 × 2



59 × 2



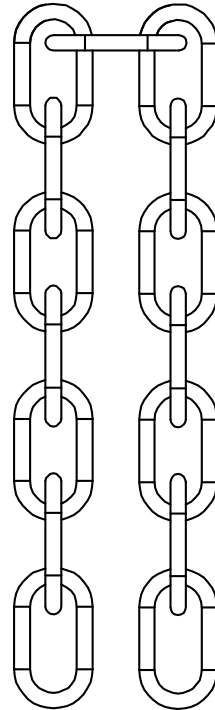
68 × 4



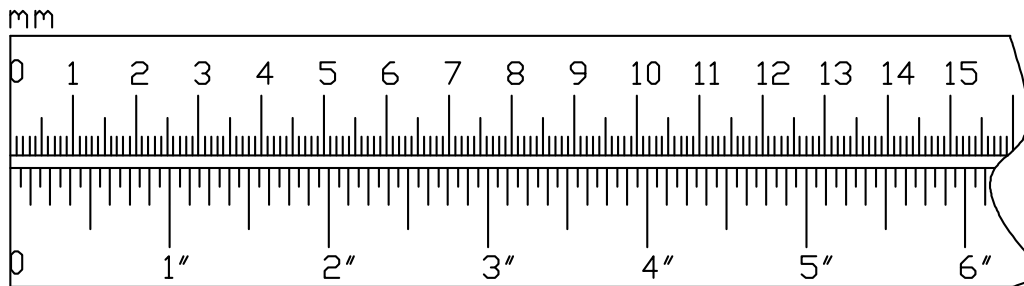
4#×1

5#×1

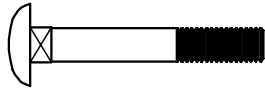
6#×2



76 × 1



85



x 4

M10x2³/₄"

104



x 4

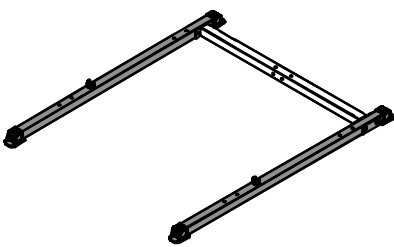
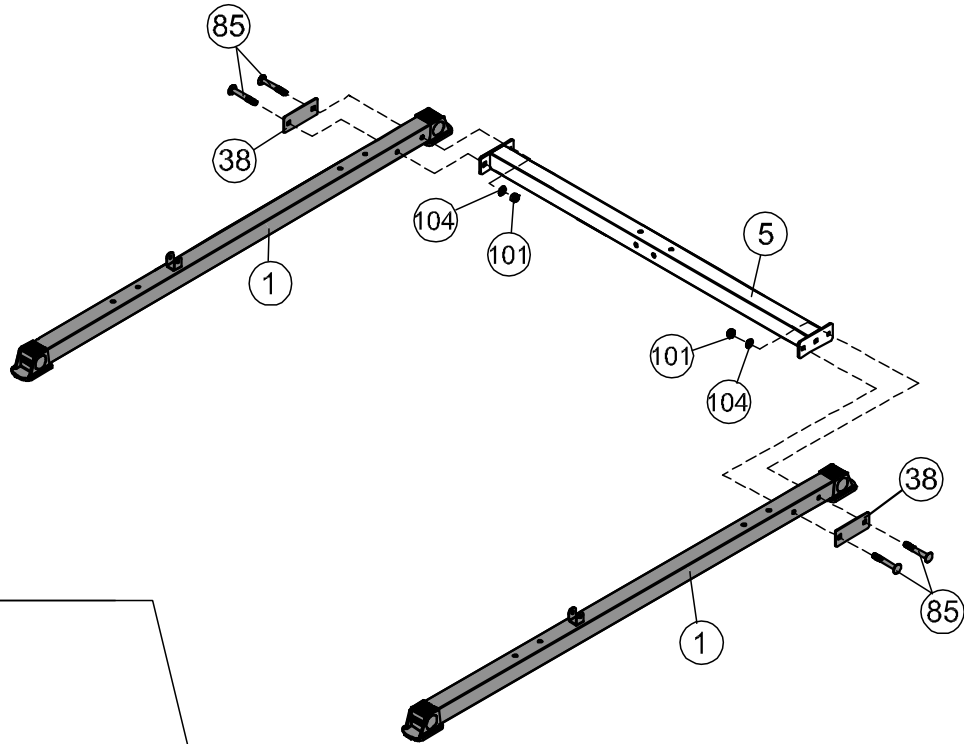
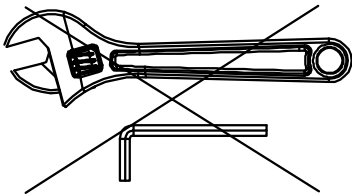
Φ³/₄"

101



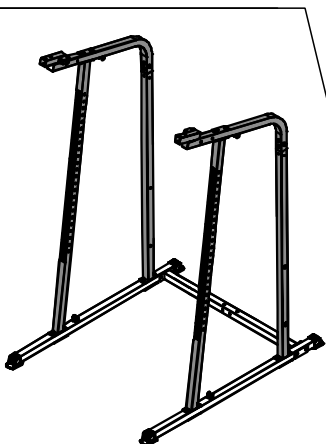
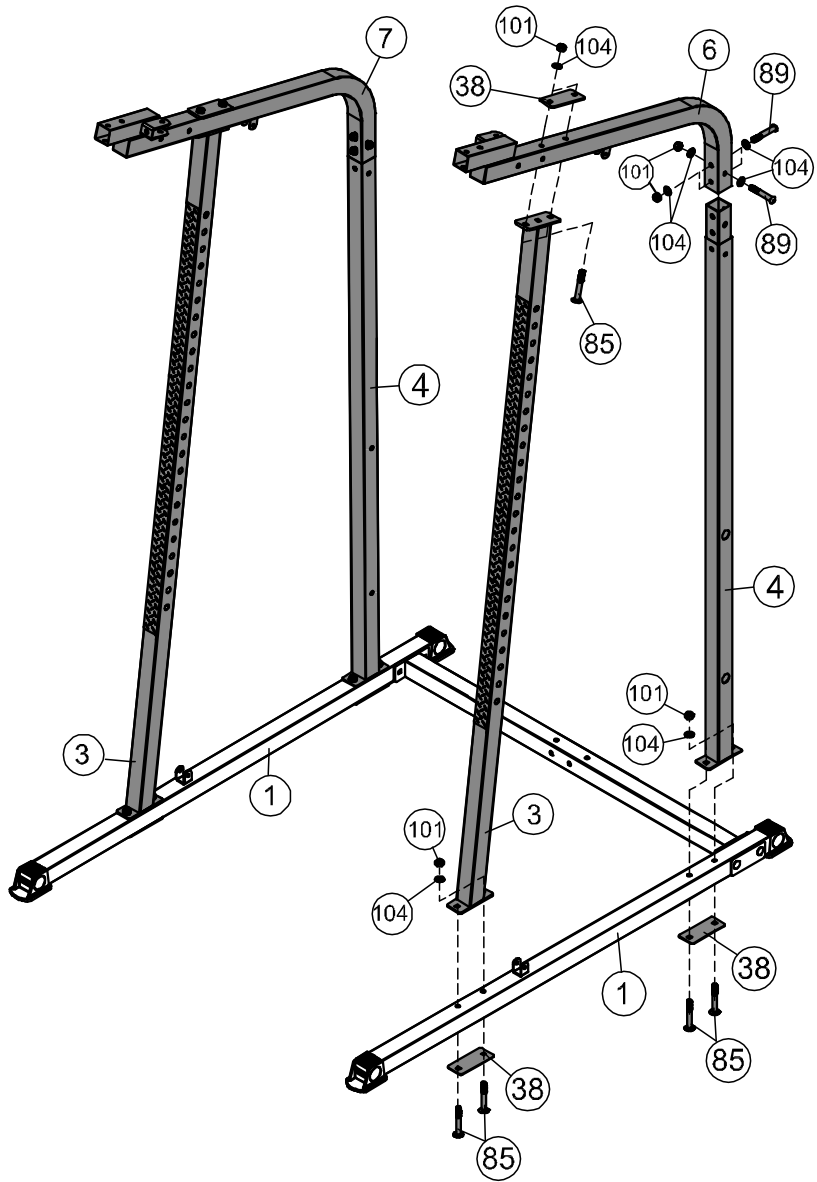
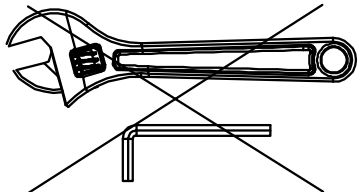
x 4

M10



1

85		× 12	M10×2 ³ / ₄ "
89		× 6	M10×2 ¹ / ₂ "
104		× 24	Φ ³ / ₄ "
101		× 18	M10



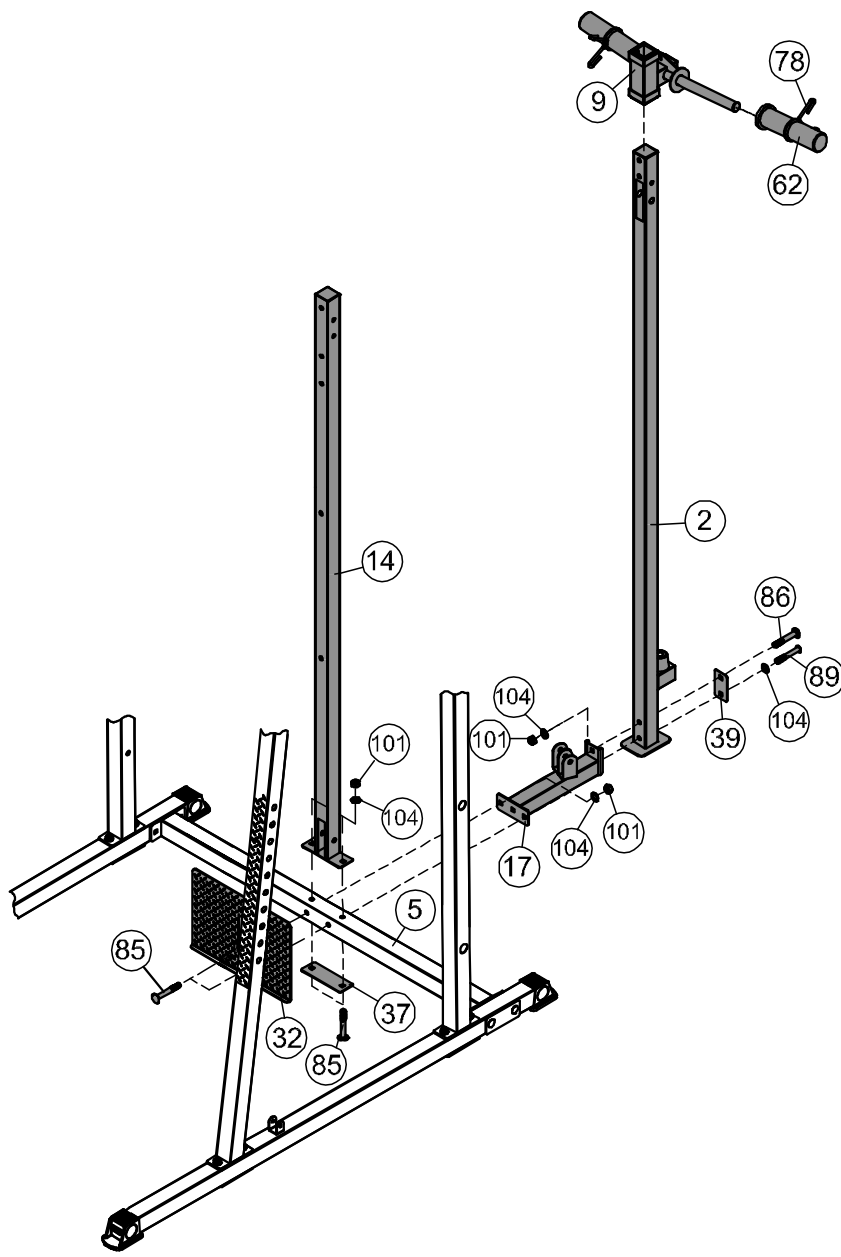
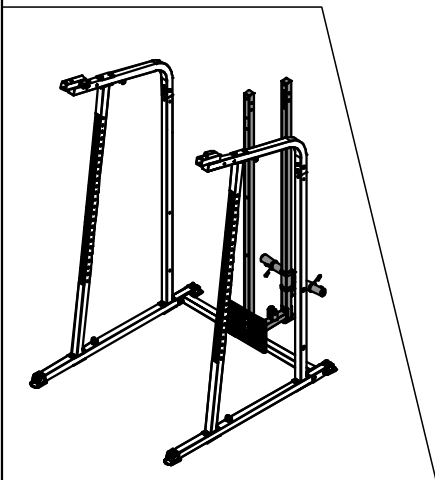
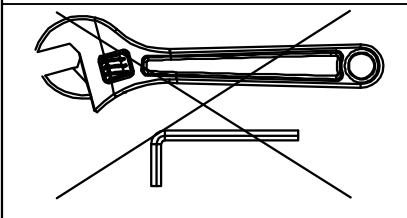
2

85  × 4 M10×2³/₄"

86  × 1 M10×2¹/₂"

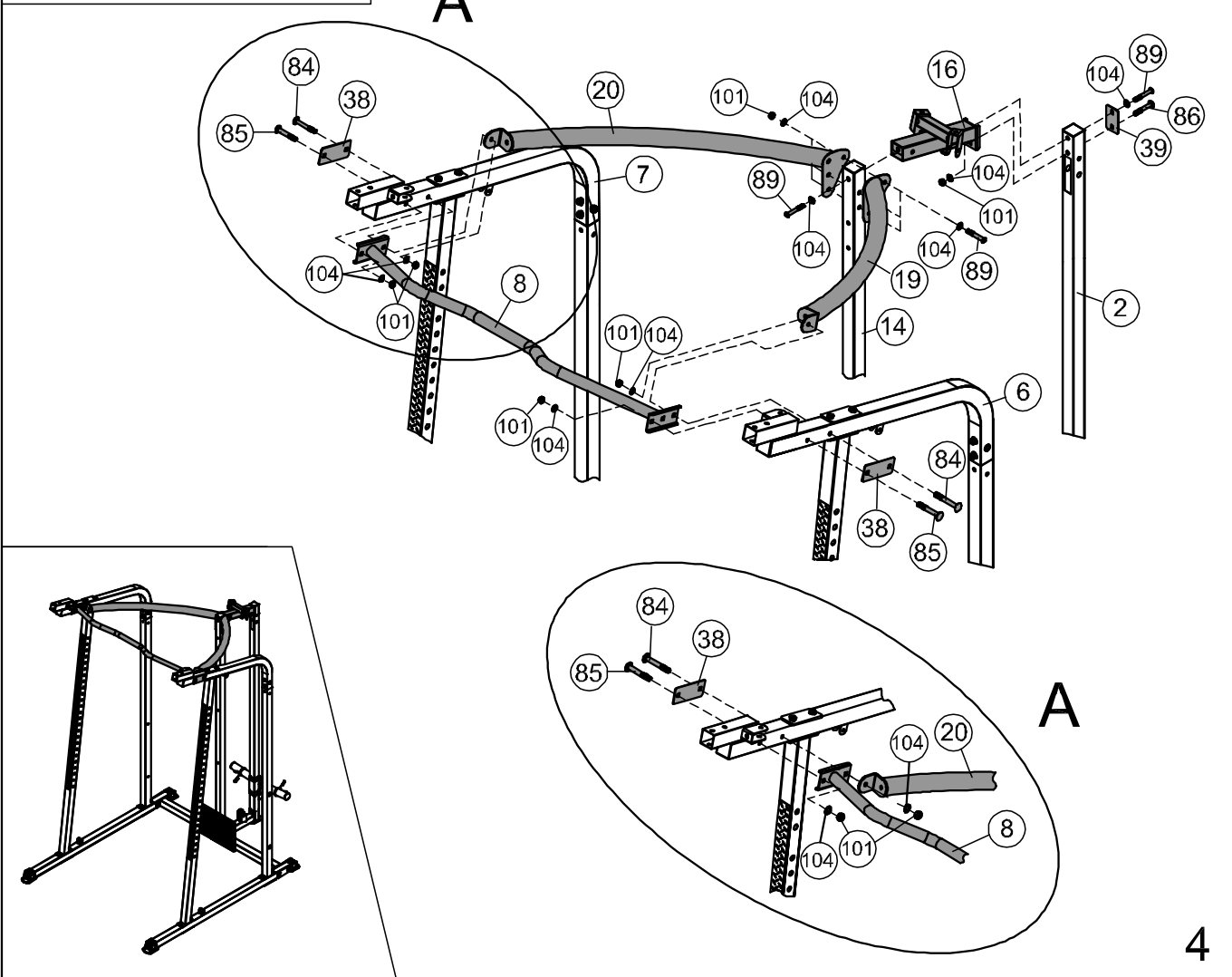
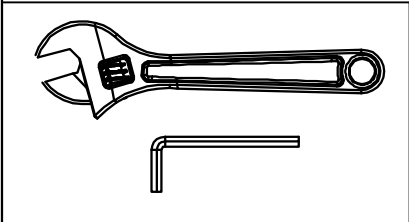
89  × 1 M10×2¹/₂"

104   × 6 Φ ³/₄" 101   × 5 M10

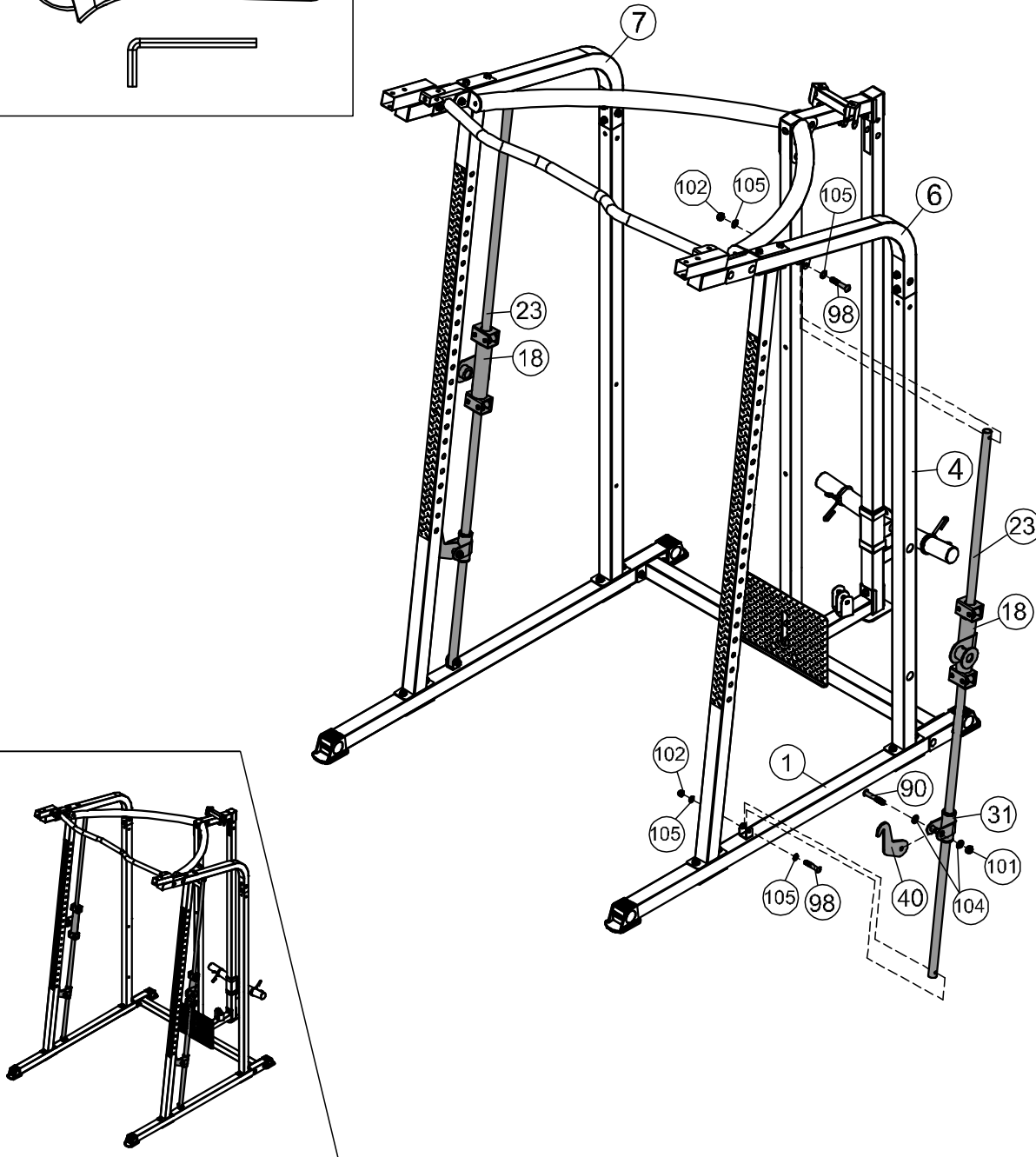
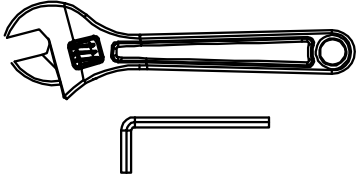


3

84		× 2	M10×3"				
85		× 2	M10×2 ³ / ₄ "				
86		× 1	M10×2 ¹ / ₂ "				
89		× 5	M10×2 ¹ / ₂ "				
104	 	× 13	Φ ³ / ₄ "	101	 	× 8	M10

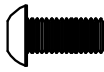


- | | | | | | | | |
|-----|---|-----|-----------------------|-----|---|-----|-----|
| 90 |  | x 2 | M10x2 $\frac{3}{8}$ " | | | | |
| 98 |  | x 4 | M8x1 $\frac{3}{4}$ " | | | | |
| 104 |  | x 4 | $\Phi\frac{3}{4}$ " | 102 |  | x 4 | M8 |
| 105 |  | x 8 | $\Phi\frac{5}{8}$ " | 101 |  | x 2 | M10 |



5

95



x

4

M10x $\frac{3}{4}$ "

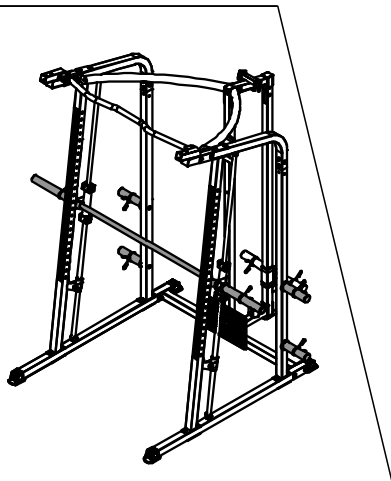
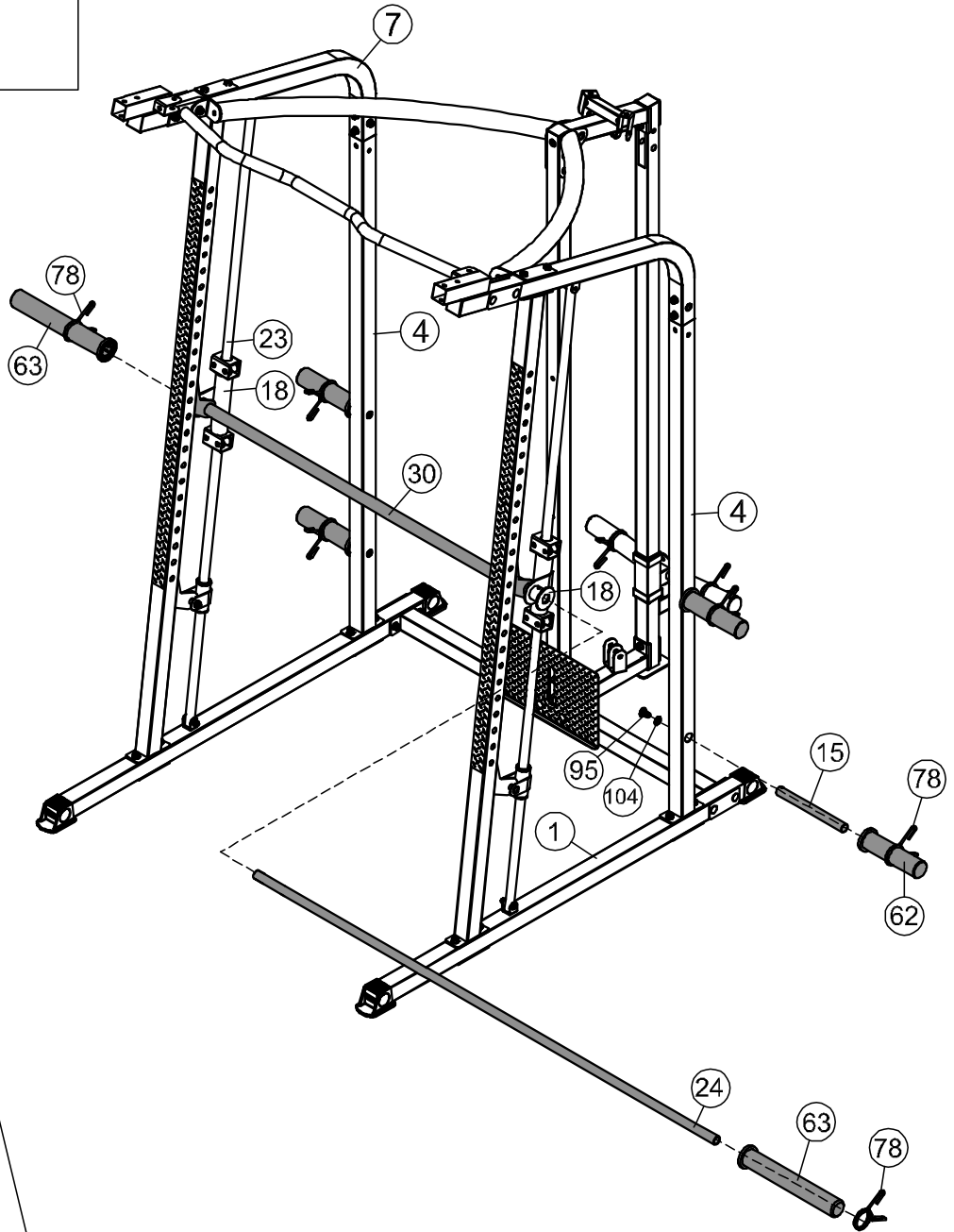
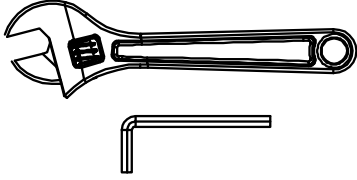
104



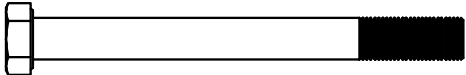







x

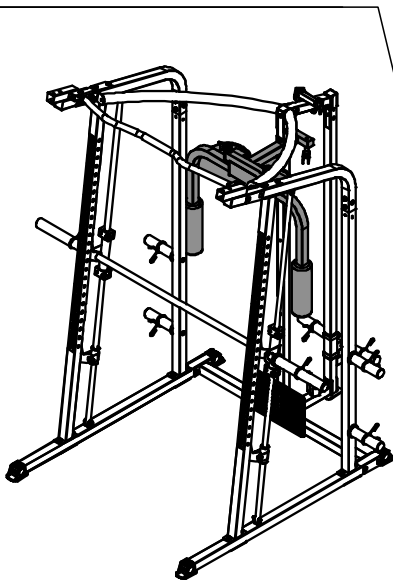
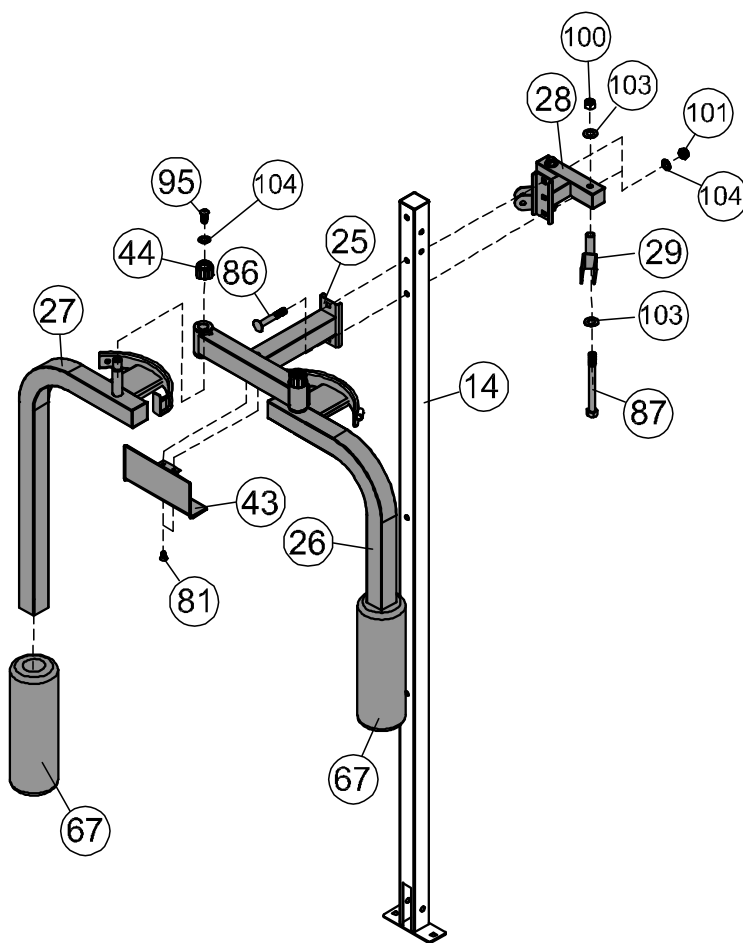
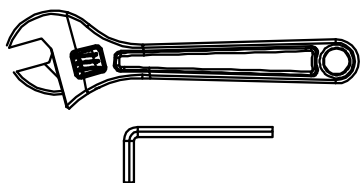
4

$\Phi\frac{3}{4}$ "

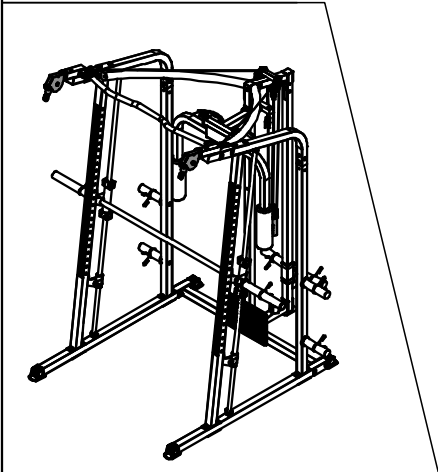
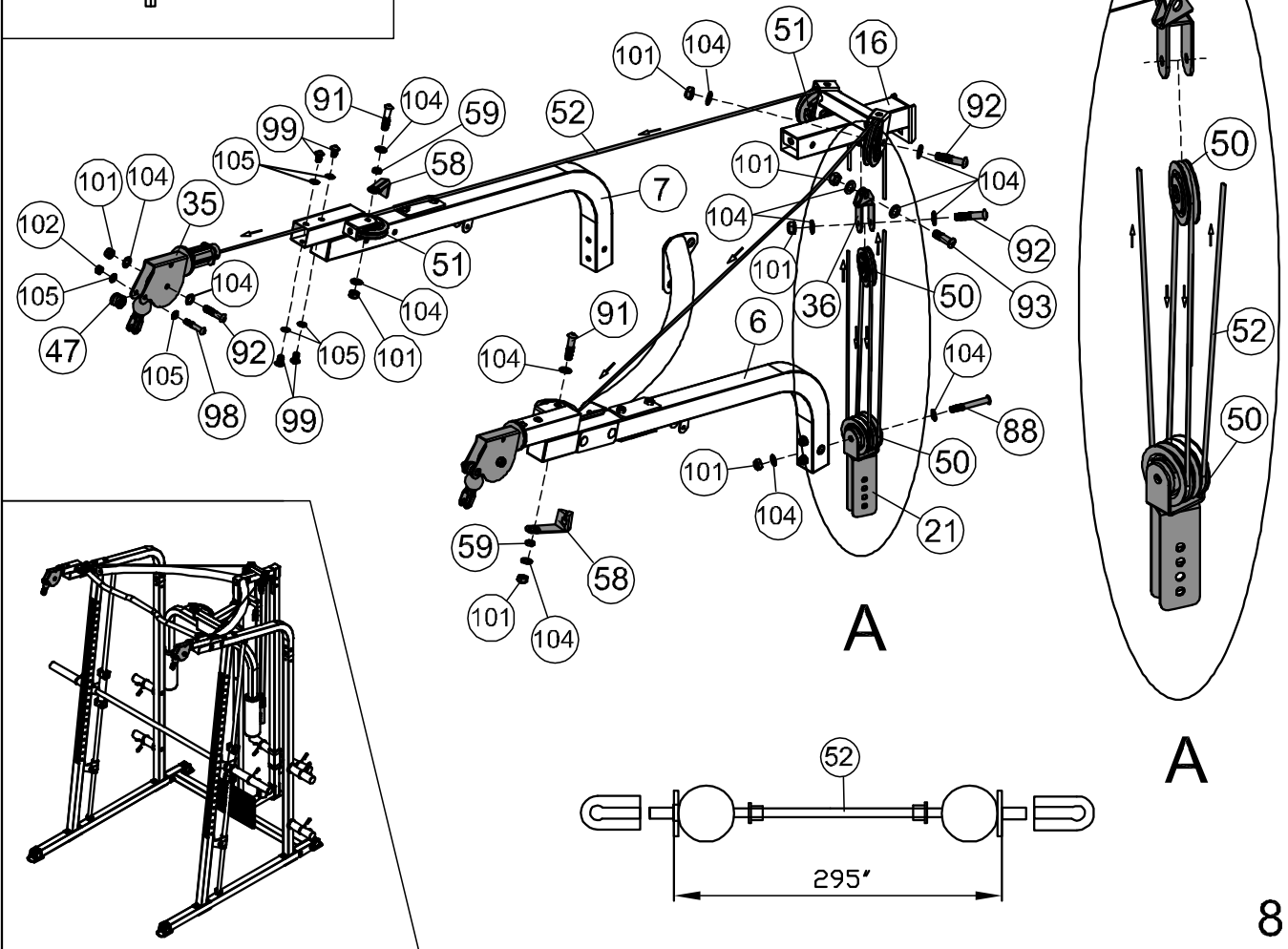
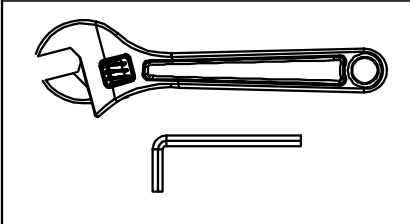





6

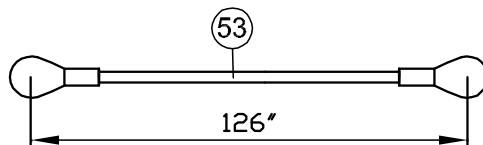
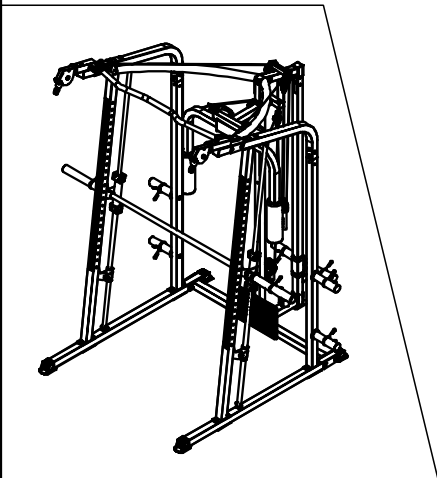
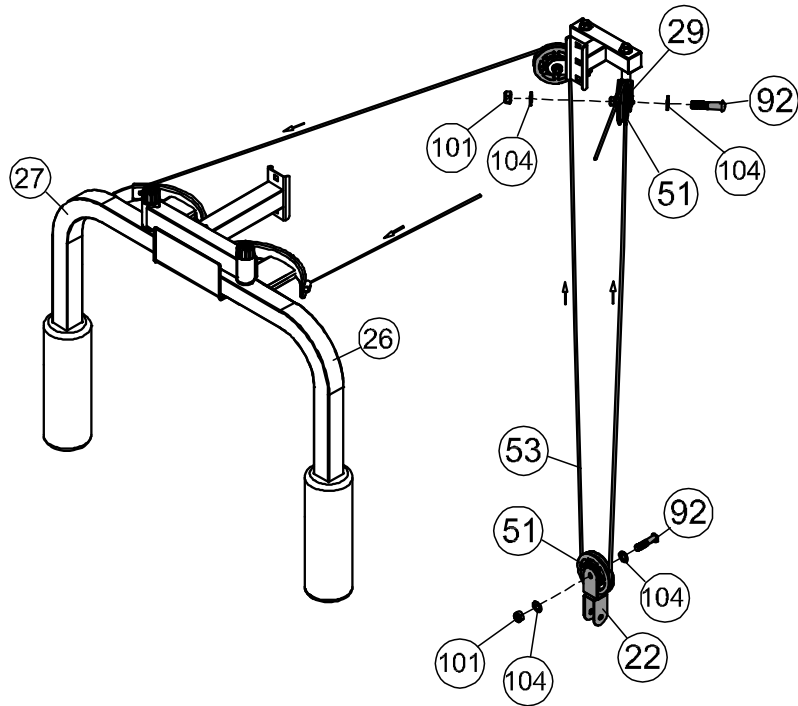
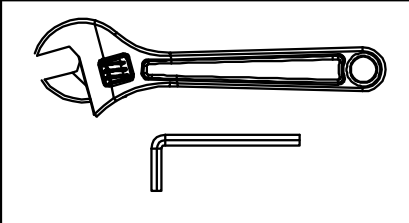
- ⑧⑦  × 2 M12×5"
- ⑧⑥  × 2 M10×2¹/₂"
- ⑨⑤  × 2 M10×³/₄"
- ⑧①  × 2 M6×⁵/₈"
- ①⑦③  × 4 Φ1"
- ①⑦④  × 4 Φ³/₄"
- ①⑦①  × 2 M12
- ①⑦①  × 2 M10



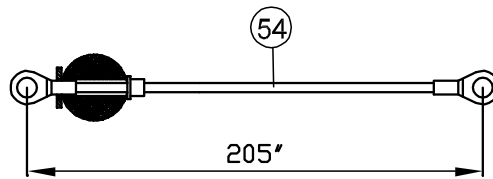
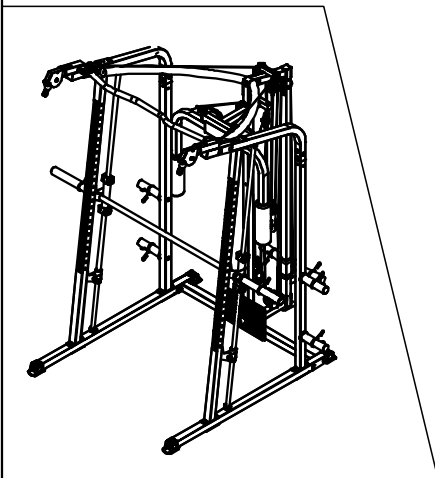
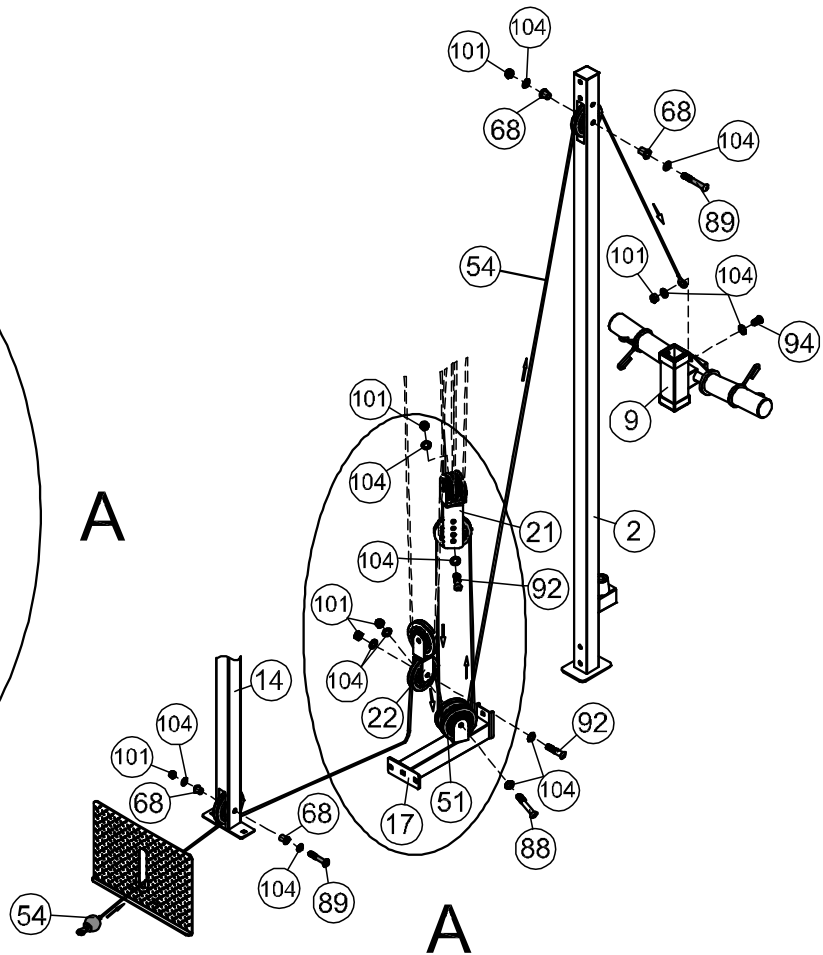
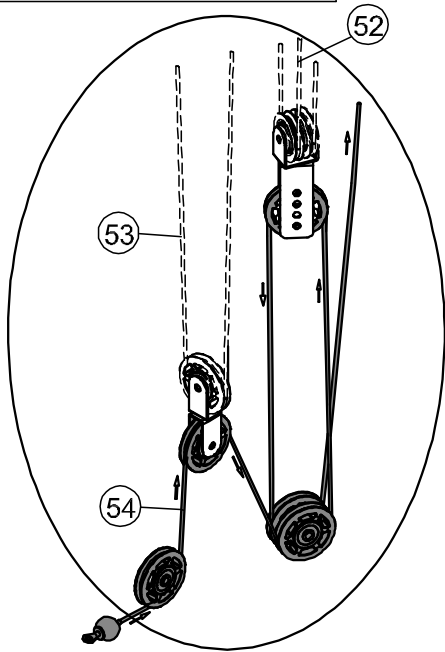
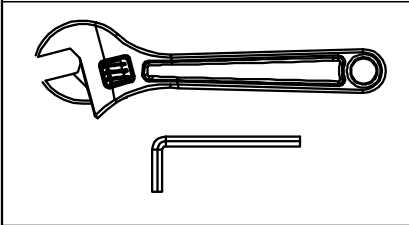
- | | | | |
|-----|--|------|-------------|
| 88 | | x 1 | M10x3" |
| 91 | | x 2 | M10x2" |
| 92 | | x 5 | M10x1 3/4" |
| 98 | | x 2 | M8x1 3/4" |
| 93 | | x 1 | M10xΦ1 3/8" |
| 105 | | x 12 | Φ5/8" |
| 99 | | x 8 | M8x3/8" |
| 102 | | x 2 | M8 |
| 104 | | x 18 | Φ3/4" |
| 101 | | x 9 | M10 |



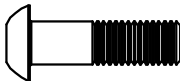

(92)		× 3	M10×1 $\frac{3}{4}$ "
(101)		× 3	M10
(104)		× 6	Φ $\frac{3}{4}$ "






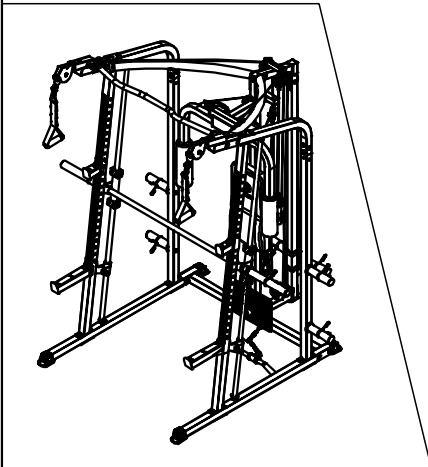
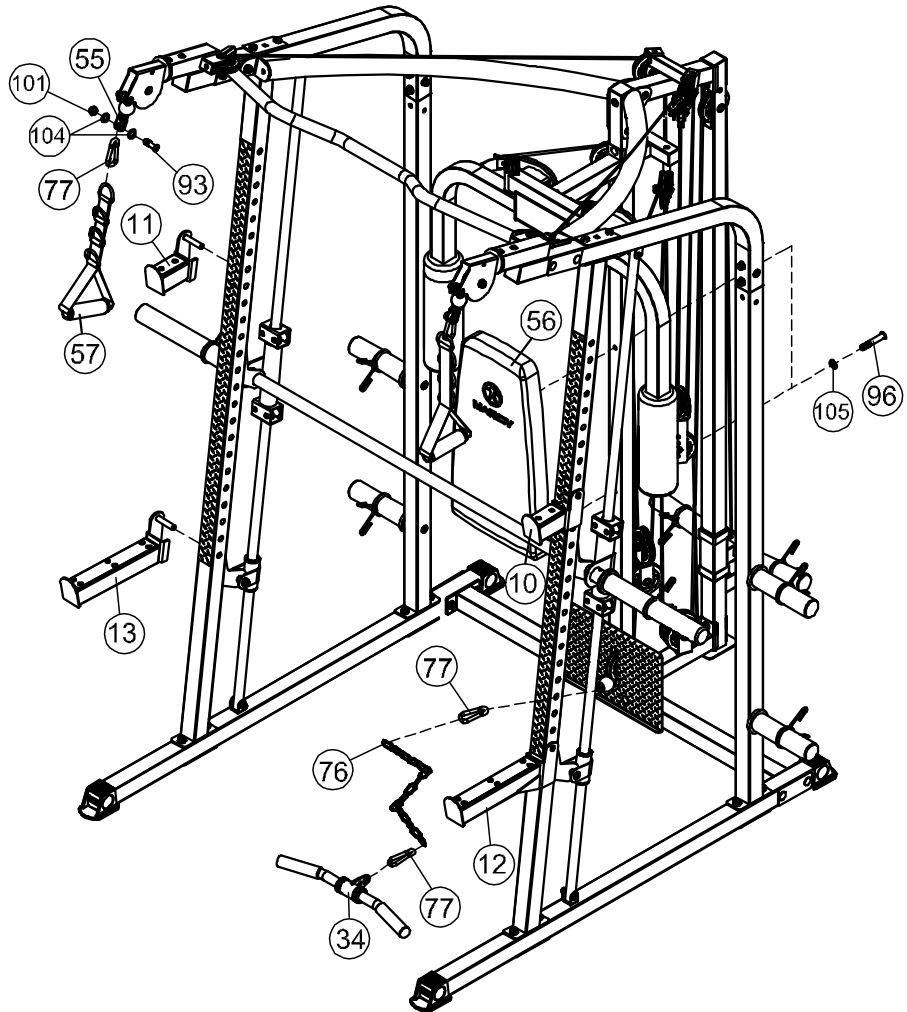
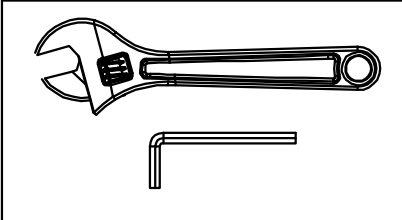
(88)		× 1	M10×3"
(89)		× 2	M10×2½"
(92)		× 2	M10×1¾"
(94)		× 1	M10×1"
(104)	 	× 12	Φ¾"
(101)	 	× 6	M10

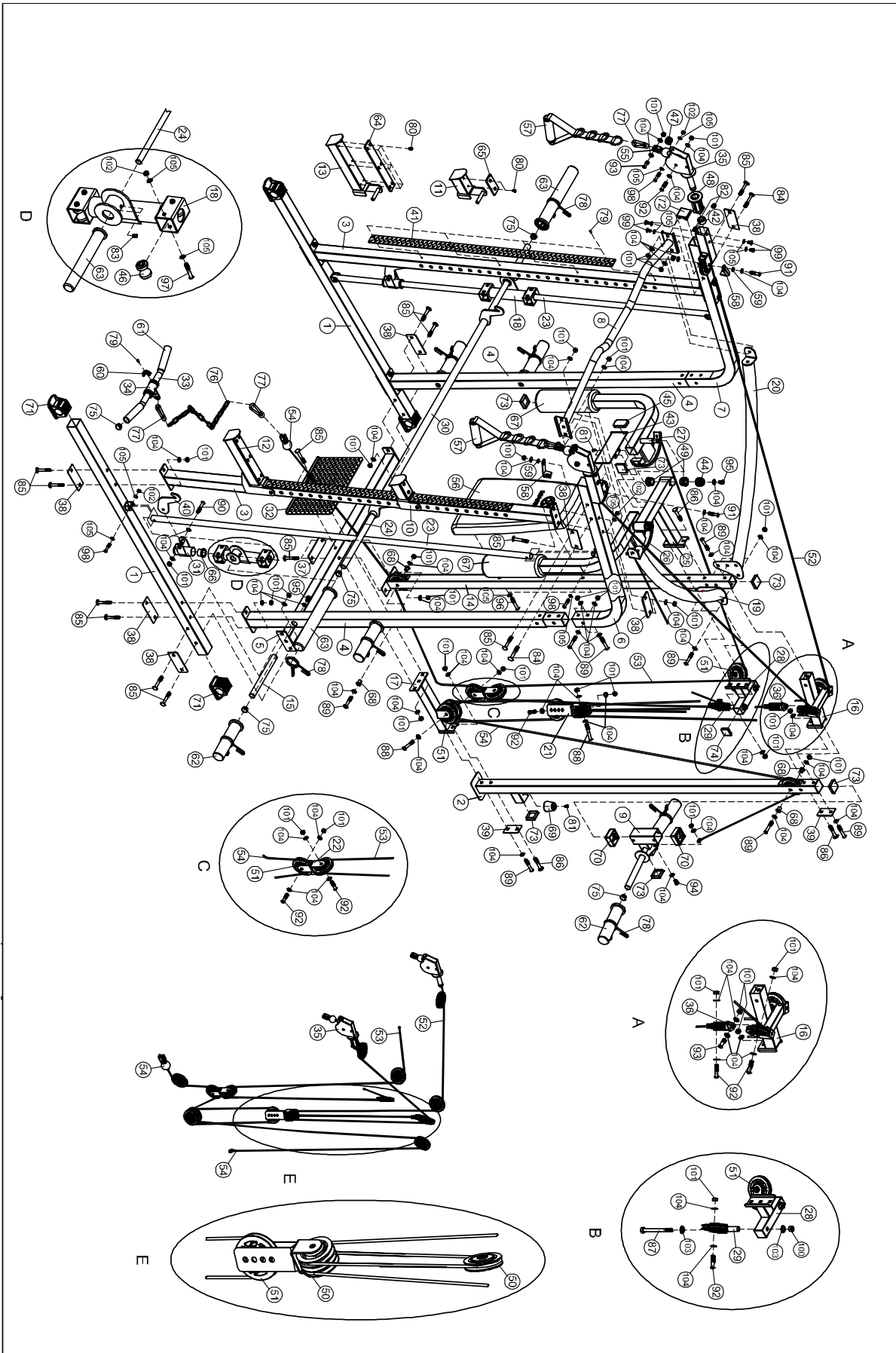


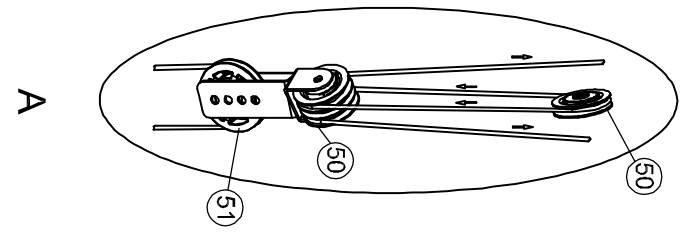
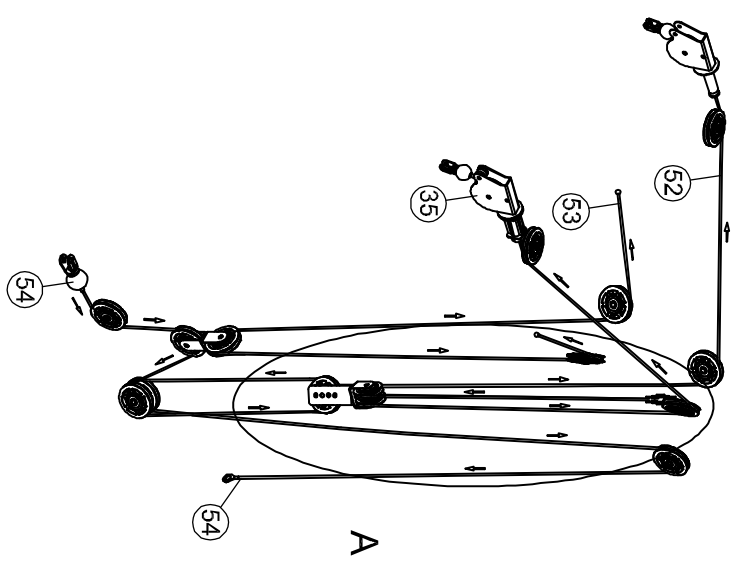
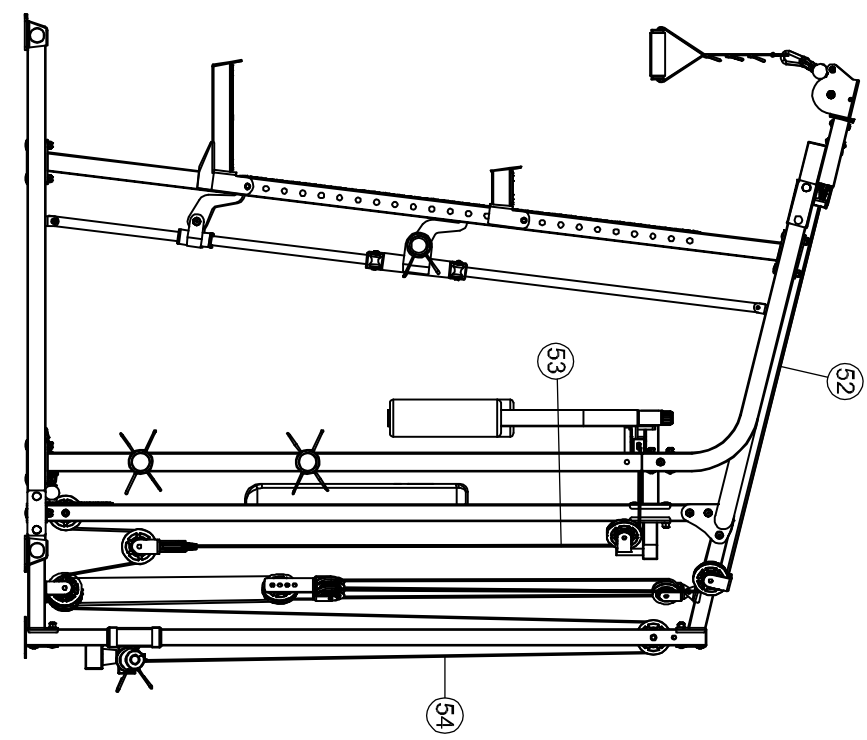
96  × 2 M8×2 $\frac{1}{2}$ "

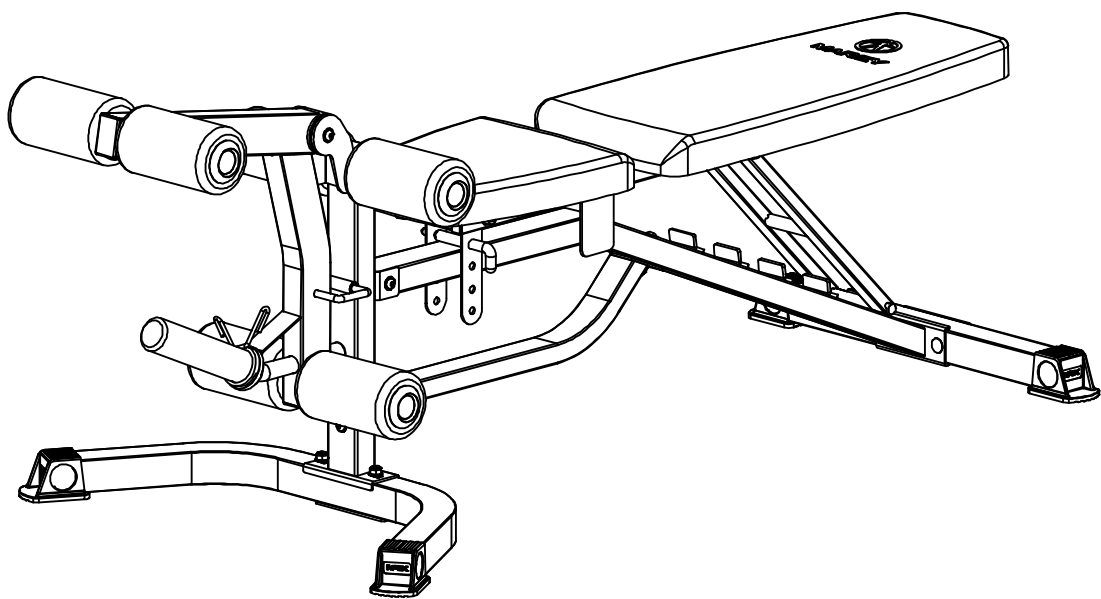
93  × 2 M10× Φ 1 $\frac{3}{8}$ " 105  | × 2 Φ $\frac{5}{8}$ "

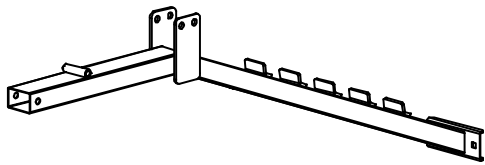
101   × 2 M10 104  | × 4 Φ $\frac{3}{4}$ "



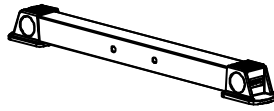




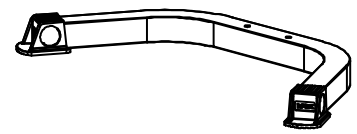




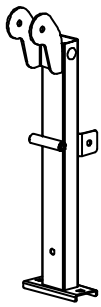
① × 1



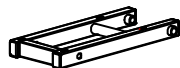
② × 1



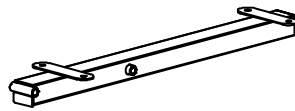
③ × 1



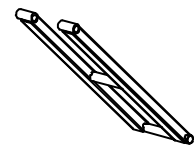
④ × 1



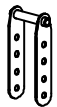
⑤ × 1



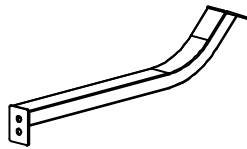
⑥ × 1



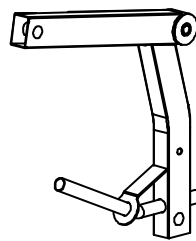
⑦ × 1



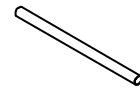
⑧ × 1



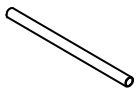
⑨ × 1



⑩ × 1



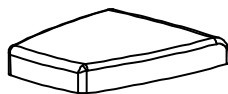
⑪ × 1



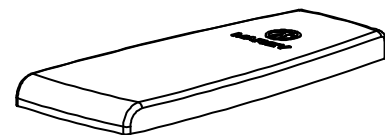
⑫ × 2



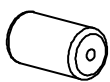
⑬ × 2



⑭ × 1



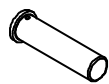
⑮ × 1



⑯ × 6



⑳ × 6



㉑ × 1



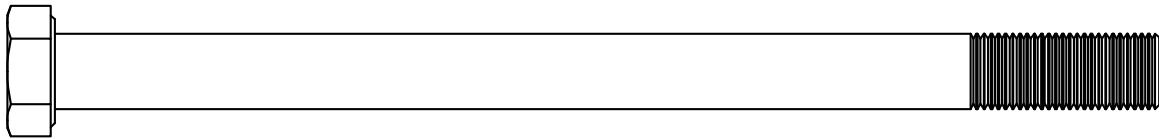
㉓ × 1



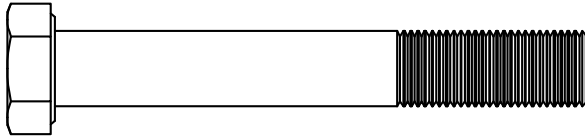
㉔ × 1



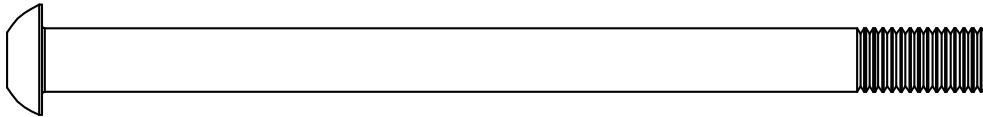
㉖ × 1



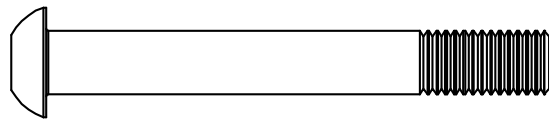
③② × 2



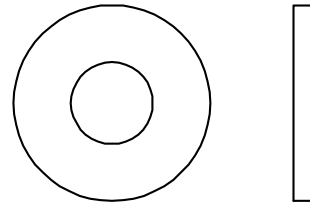
③③ × 1



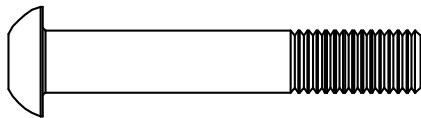
③④ × 1



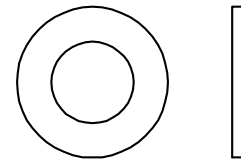
③⑤ × 1



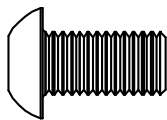
④② × 3



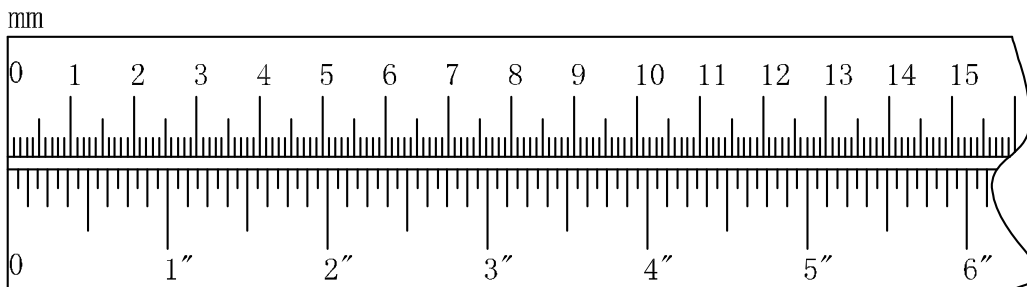
③⑥ × 2

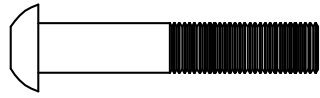


④④ × 6

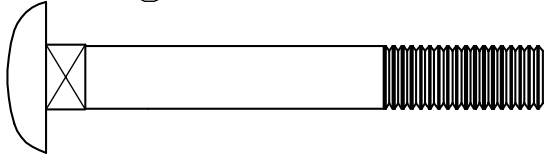


③⑦ × 2





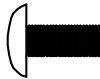
③⑧ × 4



④⑩ × 4



③⑨ × 4



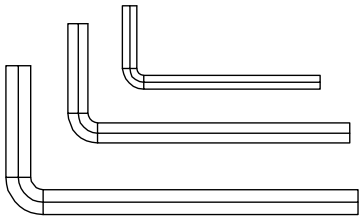
④① × 1



②⑦ × 1



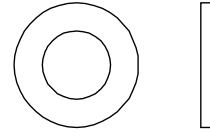
③⑩ × 1



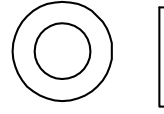
4#×1

5#×1

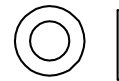
6#×2



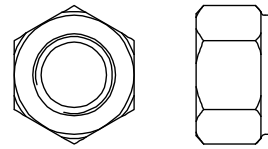
④⑤ × 12



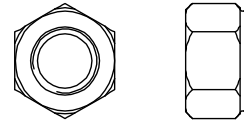
④⑥ × 8



④⑦ × 1

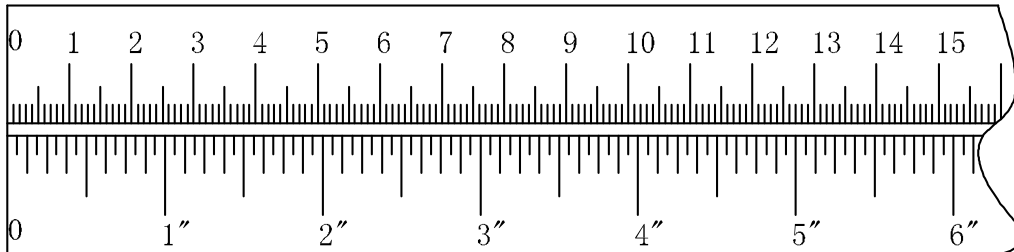


④⑧ × 3



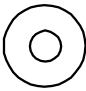



④⑨ × 8

mm

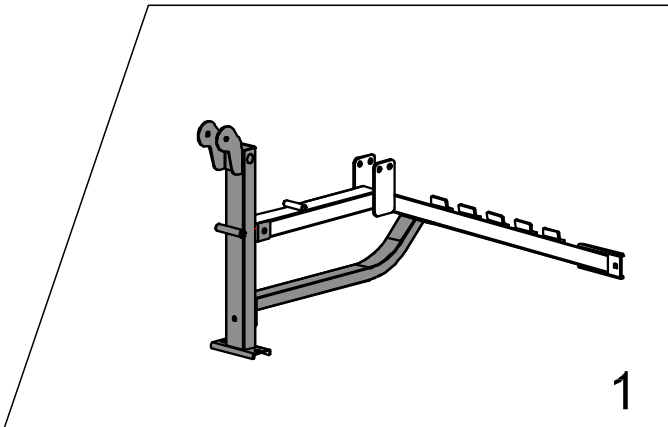
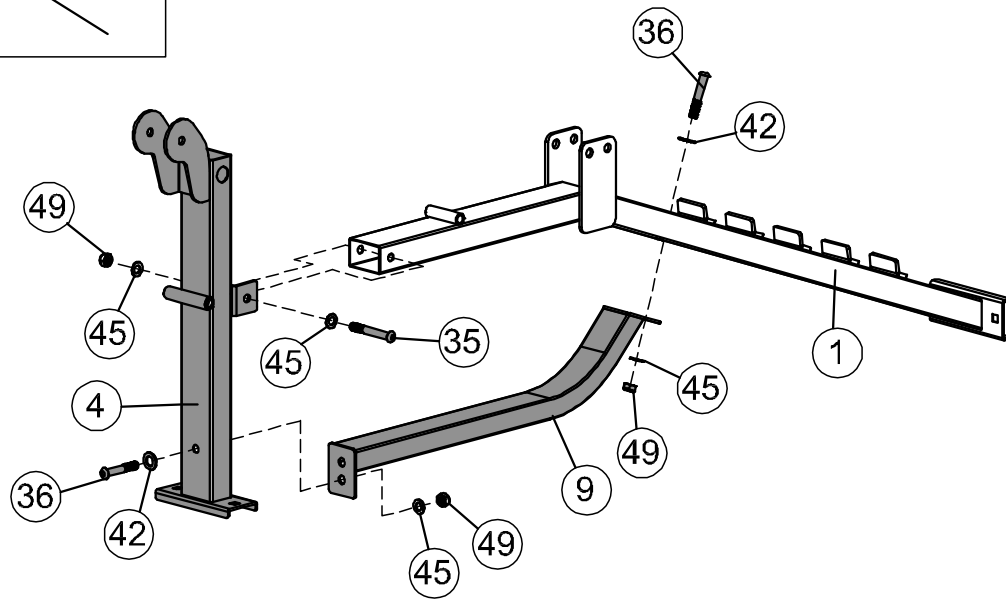
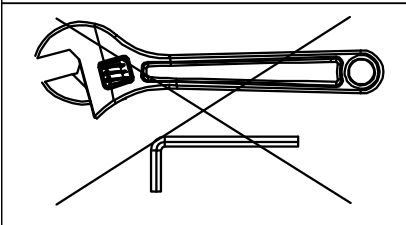


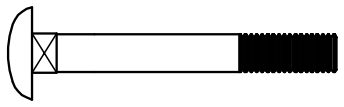


③⑤  × 1 M10×3¹/₈"

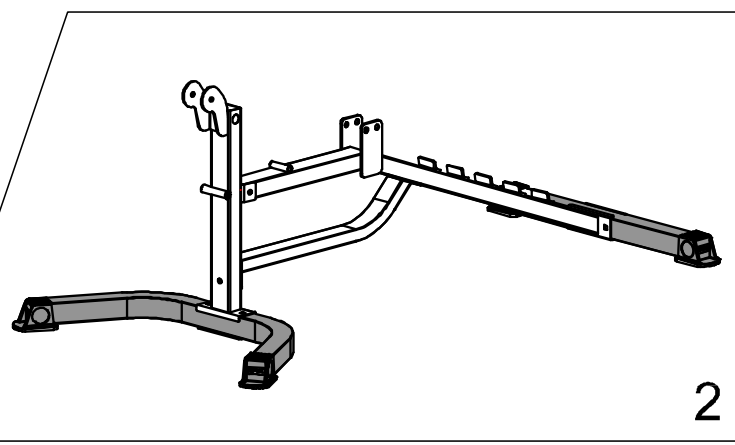
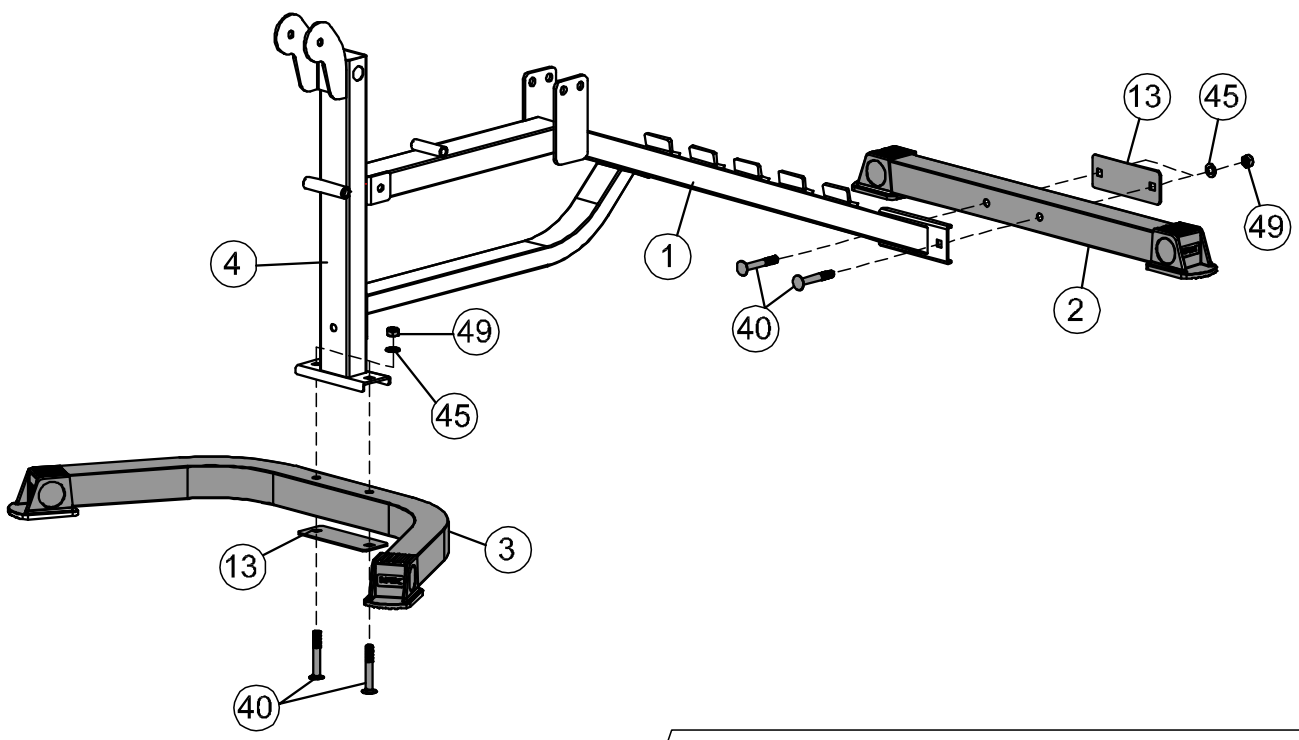
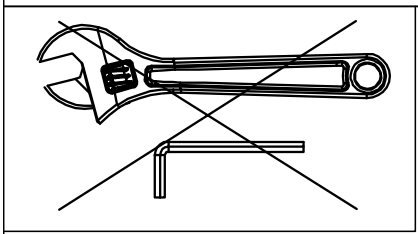
③⑥  × 2 M10×2³/₈"

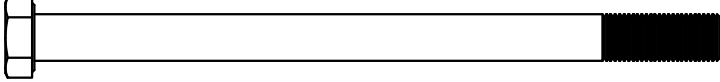
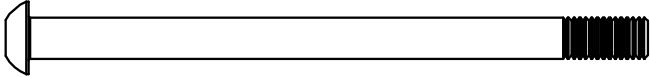






④②  |  × 2 Φ 1¹/₈" ④⑨   × 3 M10

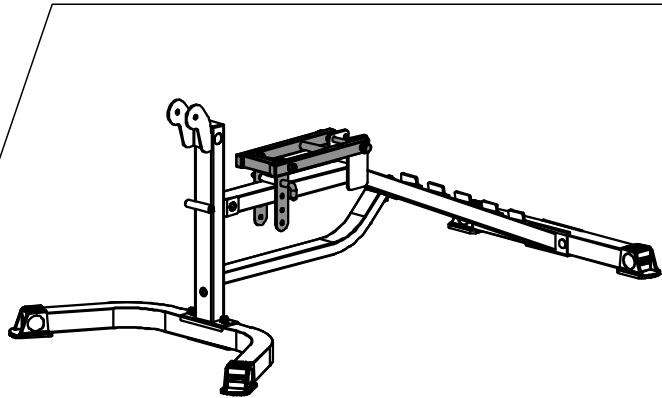
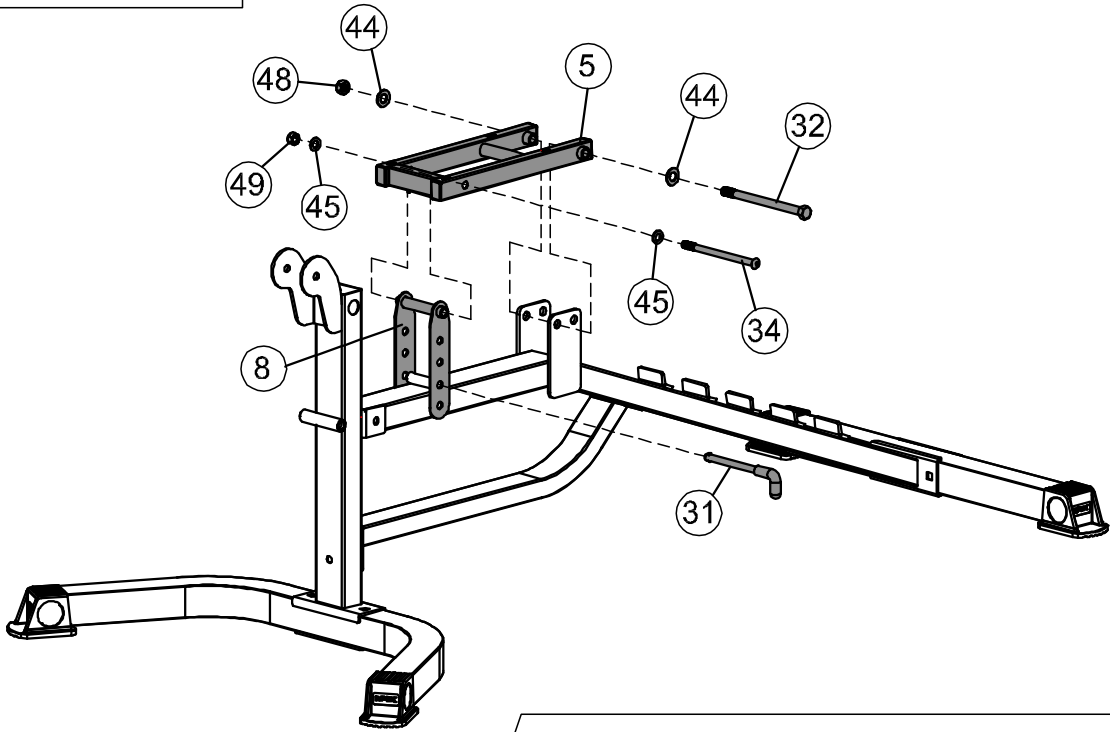
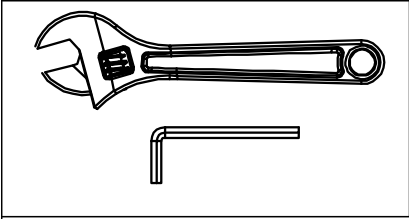
④⑤  |  × 4 Φ ³/₄"



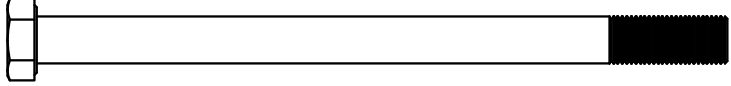
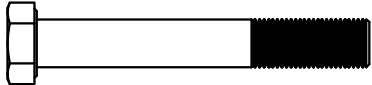



- 40

× 4
M10×2 $\frac{3}{4}$ "
- 45

× 4
Φ $\frac{3}{4}$ "
- 49

× 4
M10

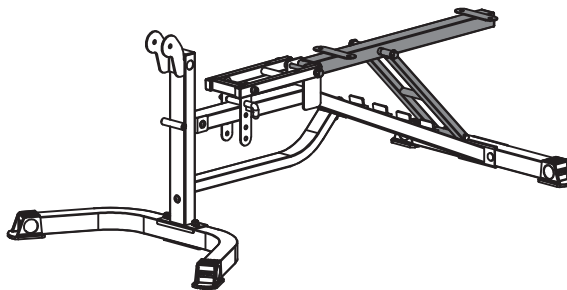
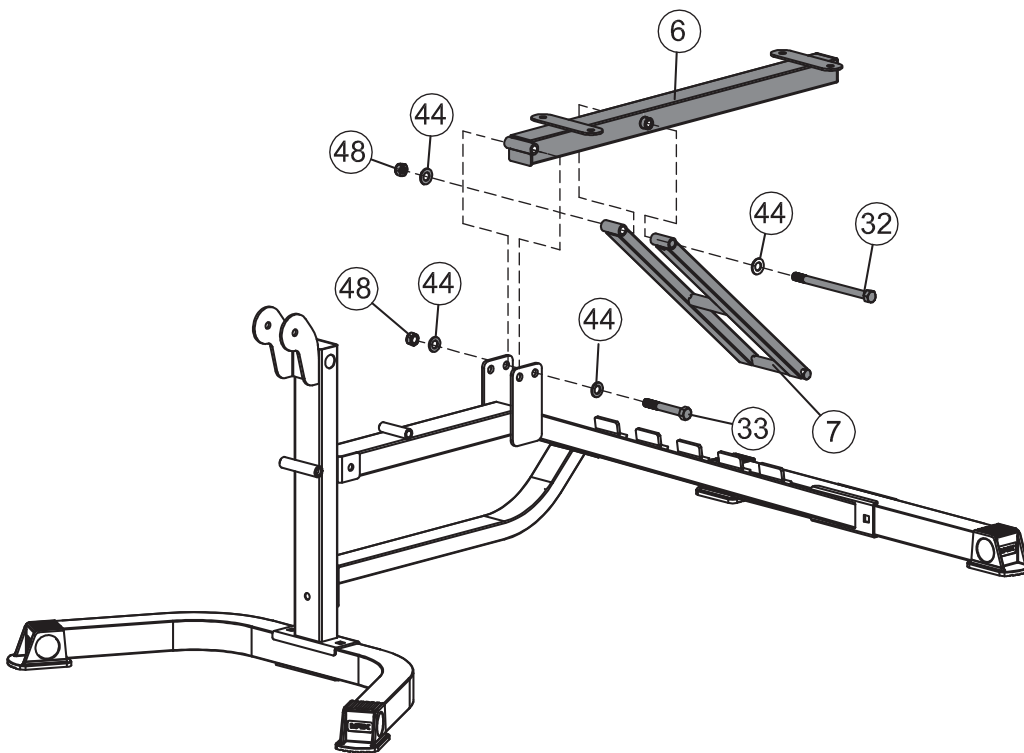
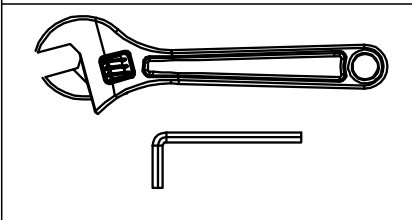


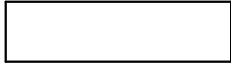



- ③②  × 1 M12×6²/₃"
- ③④  × 1 M10×6"
- ④④  | × 2 Φ1" ④⑧   × 1 M12
- ④⑤  | × 2 Φ³/₄" ④⑨   × 1 M10

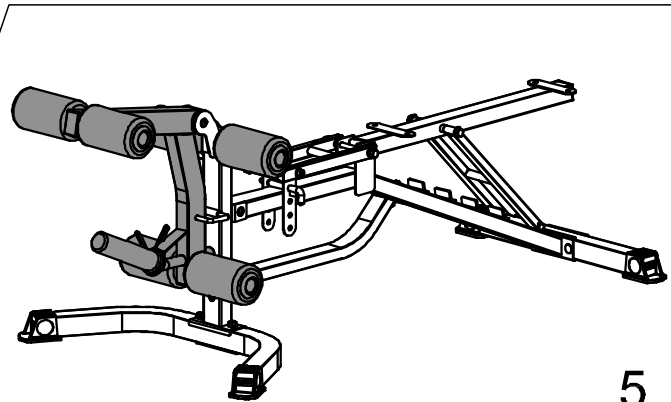
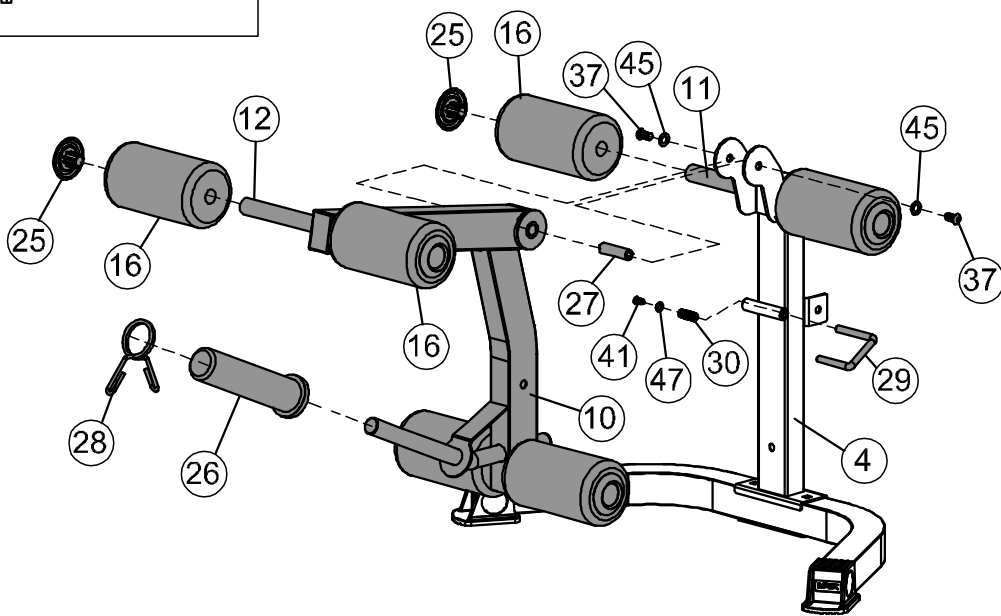
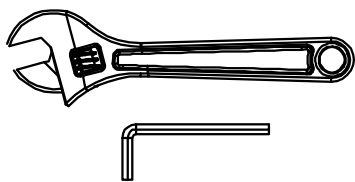


3

- ③②  × 1 M12×6³/₄"
- ③③  × 1 M12×3³/₈"
- ④④  |  × 4 Φ1" ④⑧   × 2 M12



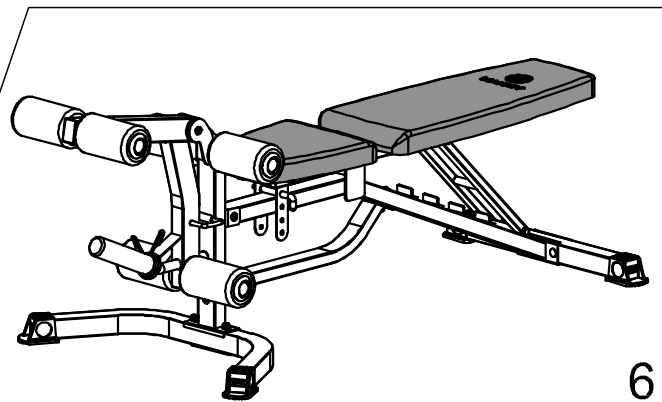
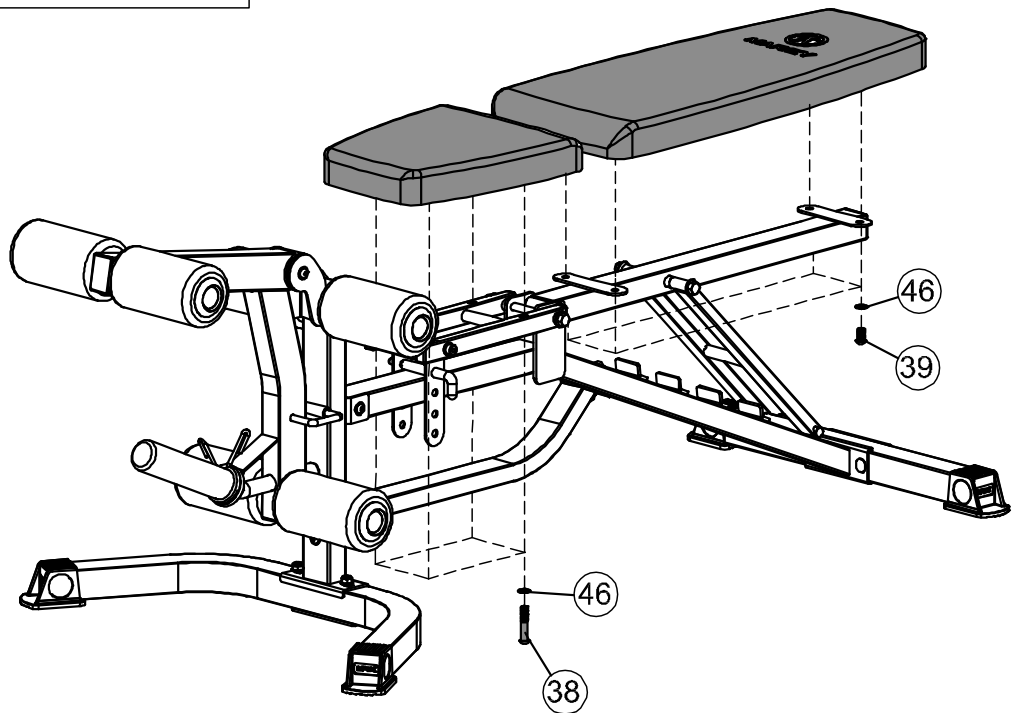
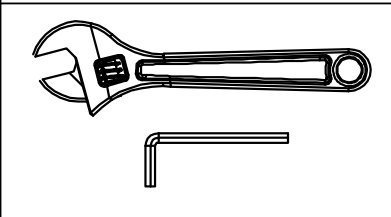
(27)		× 1	$\Phi \frac{5}{8}'' \times 2 \frac{1}{4}''$
(37)		× 2	M10× $\frac{3}{4}''$
(41)		× 1	M6× $\frac{5}{8}''$
(47)		× 1	$\Phi \frac{1}{2}''$
(45)		× 2	$\Phi \frac{3}{4}''$



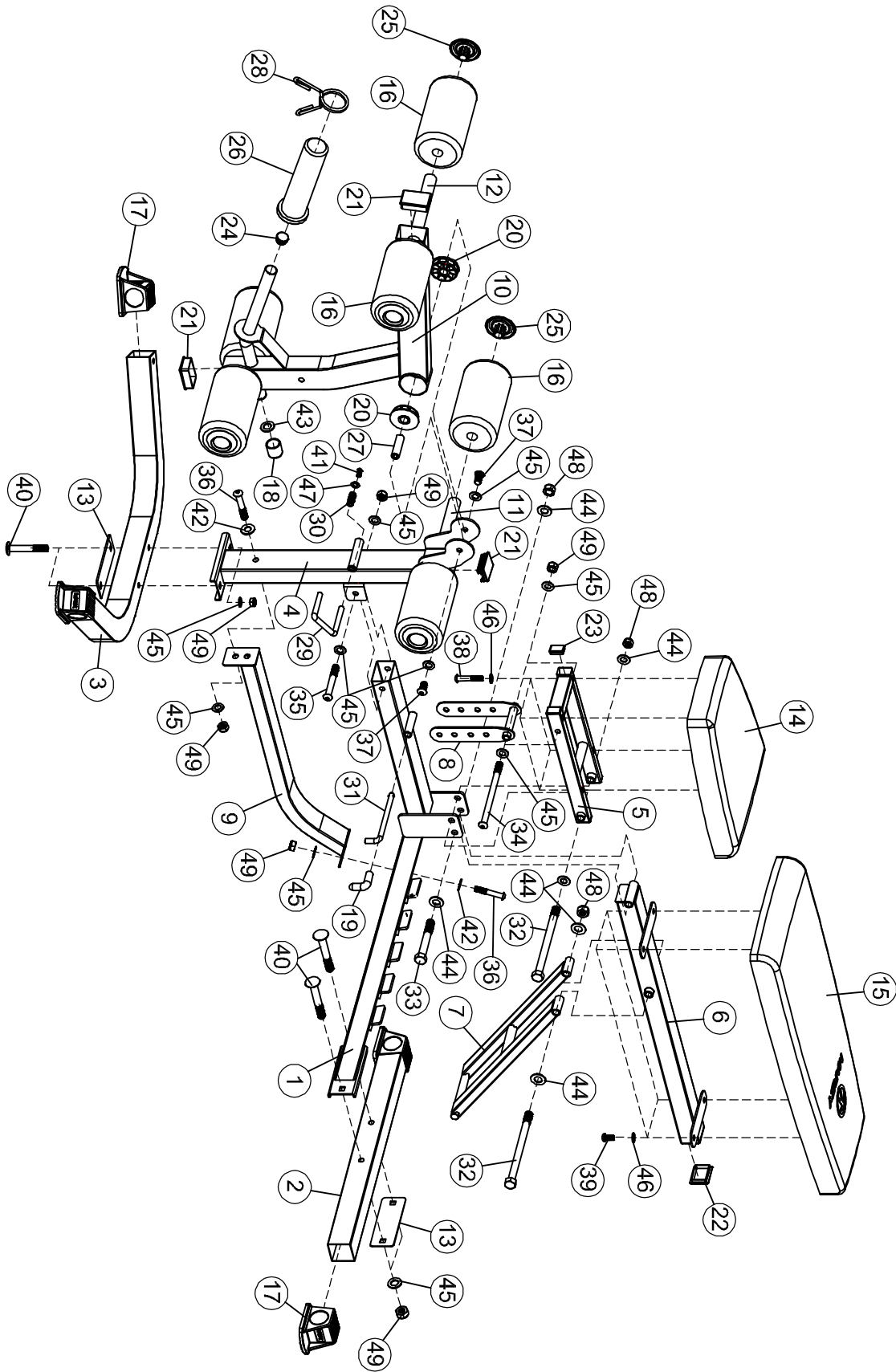
③⑧  × 4 M8×1³/₄"

③⑨  × 4 M8×³/₄"

④⑥  | × 8 Φ⁵/₈"



6



IMPEX® INC.

2801 S. Towne Ave. Pomona, CA 91766

Tel: (800) 999-8899

www.marcypro.com

support@impex-fitness.com